



AIRTECH



Biosafety Cabinet (Class II B2)

Tilt type 7 Class II B2 (all exhaust type)

It can handle volatile chemical substances because it exhausts the entire air volume. In addition, a sloping front slide shutter with good workability was adopted.

Features

1. JIS Self- declaration of conformity

BHC-1307 II B2 is a JIS self-declaration of conformity.

2. Reduced running costs

High efficiency DC brushless fan, long life LED lighting saves money.

3. Shutter opening:

The shutter opening height is 200mm to reduce the exhaust system load.

4. Easy-to-maintain structure

Important parts such as fans and HEPA filters can be maintained and inspected from the front of the device.

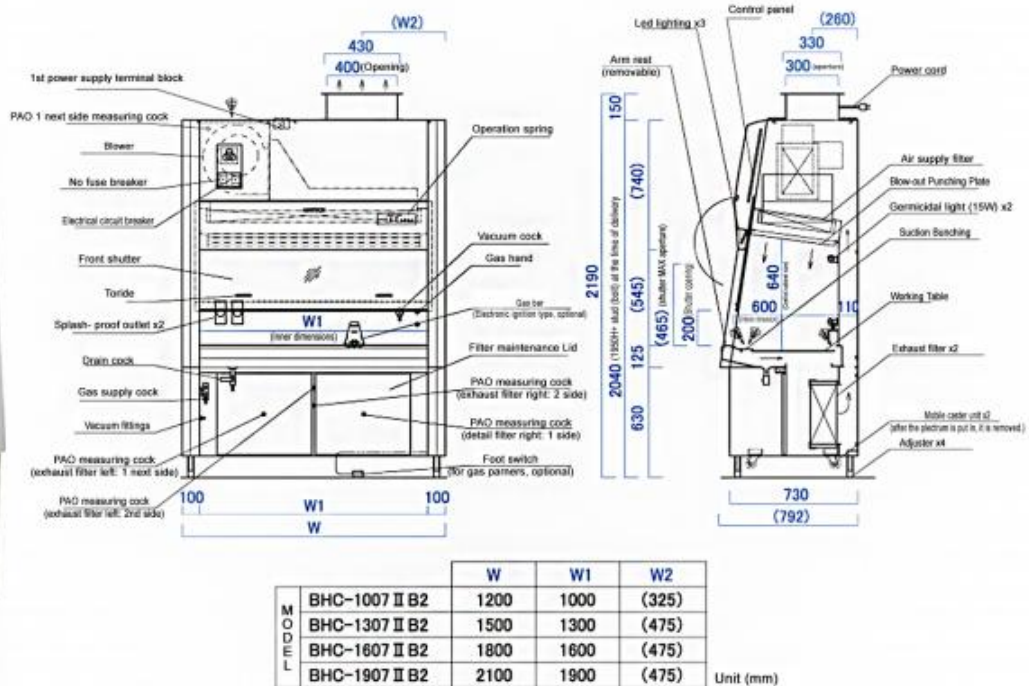
5. Built-in fan for indoor exhaust is possible (option)

An exhaust fan can be built-in to cover the amount of in-flight pressure loss. The exhaust fan in the building stable front suction air flow is maintained by interlocking.

Safety Cabinet II B2 (all exhaust type)



BHC-1307 II B2



Model	BHC-1007II B2	BHC-1307I B2	BHC-1607II B2	BHC-1907II B2
Collection Efficiency	0.3 μm particles 99.99% or more			
Collection Element: Air supply filter	(3A-449165TLPUF) X1			
Exhaust filter	(3AL-387015PPD) x1	HEPA Filter x 1	HEPA Filter x 2	HEPA Filter x 2
Processing Air Volume(m ³ /min) *At front opening dimension 200mm	9.3	HEPA Filter x 1	HEPA Filter x 1	HEPA Filter x 1
Exhaust(m ³ /min) *At front opening dimension 200mm	15.7	Approximately 15.7	Approximately 19.5	Approximately 23.5
Work room wind speed (m/s) *Front opening dimension 200mm	About 0.28	Approximately 1.8	About 2.3	About 2.3
Front suction wind speed (average m/s)+ front aperture at 200mm	About 0.53			
Power Supply	AC100V 1φ 50/60Hz			
Power consumption(W)	Approximately 130(approximately 170VA)	Approximately 210(approximately 280VA)	Approximately 320(approximately 400VA)	Approximately 330(approximately 440VA)
LED Lighting	8W x3	11W x3	14W x3	17W x3
Germicidal Lamp(W) *Inverter type	15W x2	15W x2	15W x2	15W x2
Weight (kg)	About 350	About 350	About 450	About 450
Minimum carry-in dimensions (mm)	300 W1200xD730XH1970	W1500xD730XH1970	W1800xD730XH1970	150 W2100xD730XH1970
Structure	Main Body: Steel plate baking paint, Working room: Stainless steel			
Exhaust fan capacity separately	Duct pressure loss at 15.7m ³ /min +Cabin pressure loss of 650 or more	Duct pressure loss at 20.4m ³ /min Cabin pressure loss of 650 or more	Duct pressure loss at 25.4m ³ /min Cabin pressure loss of 650 or more	Duct pressure loss at 31.7m ³ /min Cabin pressure loss of 650 or more

* The working room wind speed is measured at 335mm on the working table. * The blower is LNF-10 type (maximum power 750W). *Power consumption does not include outlet capacity when the blower + light operation is performed. * Working room average illuminance is about 1000Lux. * At the time of carrying in, please try the margin of each 20mm degree to the minimum carrying in dimensions. * The standard machines does not come with an exhaust fan.

Optional electronic ignition gas burner (with foot switch), auto pipette, exhaust filter differential pressure gauge, vacuum pump, aspirator, dedicated hanger pipe, outdoor exhaust chamber, air conditioner, dedicated outdoor exhaust fan, outdoor exhaust fan (line fan), duct member (PVC flex type), exhaust HEPA filter by differential pressure switch, clogging alarm (with display and buzzer).

In the following cases, an abnormality is alerted by a buzzer and a display. (Please refer to the instruction manual for the contents.)

1. In case of fan malfunction
2. In case of front inflow wind speed and air supply wind speed abnormality
3. In case of front shutter opening more than 200mm
4. In case of other alarm