

Intellekt Series

Biological Microscope

- Excellent OTICS infinity optical system, outstanding resolution and definition.
- Original integrated stand for excellent stability.
- Unique aspheric illumination system, provide bright and comfortable lighting.
- Various colorful matching looking can provide lively environment and happy mood.
- Various accessories for upgrading.
- Back handle and observing hole convenient for carry and operation.
- Alternative color for main body.





INTELLEKT-FL LED Fluorescence Microscope

INTELLEKT-FL Fluorescence Microscope

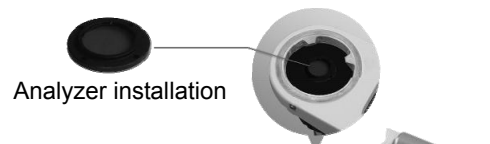
- Wire winding device convenient for carry and storage (optional)



- Phase contrast unit, Independent phase contrast unit (apply to infinity optical system)



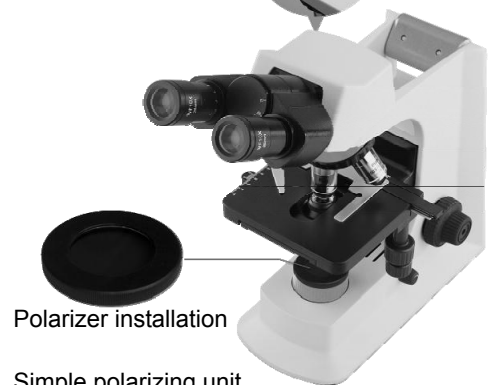
- Polarizer, analyzer for simple polarizing unit.



- Dry / Wet Dark Field Condenser



- Mirror



Simple polarizing unit
Polarizer, analyzer for simple polarizing unit

INTELLEKT Series Biological Microscope Outfits

Items	Specification	INTELLEKT				
		-1	-2	-3	-4	
Eyepiece	WF 10X-18mm	●●				
	WF 10X- 20mm		●●	●●	●●	
Finity Achromatic Objective	4X	●				
	10X	●				
	40X(S)	●				
	100X/1.25 (Oil) (S)	●				
Finity Plan Objective	4X		●			
	10X		●			
	40X/0.65 (S)		●			
	100X/1.25 (Oil) (S)		●			
Infinity E-Plan Objectives	4X			●		
	10X			●		
	40X (S)			●		
	100X (Oil) (S)			●		
Infinity Plan Objectives	4X				●	
	10X				●	
	40X (S)				●	
	100X (Oil) (S)				●	
	Plan 20X			○	○	
	Plan 60X (S)			○	○	
Seidentopf Head	Binocular Inclined 30°,Rotatable 360°, Interpupillary Distance 48-75mm	●	●	●	●	
Seidentopf Trinocular Head	Inclined 30°,Rotatable 360°, Interpupillary Distance 48-75mm, Light Distribution 20:80	○	○	○	○	
Nosepiece	Quadplex , Quintuple (Optional)	●	●	●	●	
Mechanical Stage	Stage Size: 145 mm×140mm Travel: 76mmX52mm, Scale: 0.1mm Coaxial Coarse and Fine Focusing Knobs Travel Range: 26mm, Scale: 2um Two Slide Holder	●	●	●	●	
	Integrated stage, Stage size: 182×140mm Travel range: 77mm×52mm, Two-slide holder	○	○	○	○	
	Condenser	Abbe N.A. 1.25(Iris Diaphragm)	●	●	●	●
	3W-LED Illumination Systems	●	●	●	●	
Illumination	6V/20W Halogen Lamp	○	○	○	○	
	6V/30W Halogen Lamp	○	○	○	○	
Field Diaphragm		○	○	○	○	
Dark Field Condenser	Dry, apply to 4X - 40X objective	○	○	○	○	
	Wet, apply to 100× objective	○	○	○	○	
Polarizing Attachment	Analyzer/Polarizer	○	○	○	○	
Independent contrast unit	phase 10X /20X /40X /100X			○	○	
Fluorescence Attachment	Epi fluorescence unit (six-hole disc media which can be fixed with Uv /V/B/G and another filters) ,100W mercury lamp.			○	○	
	Epi fluorescence unit (six-hole disc media which can be fixed Uv /V/B/G), LED fluorescence lamp.			○	○	
Filter	Blue	○	○	○	○	
	Green	○	○	○	○	
	Yellow	○	○	○	○	
C-Mount	0.47X (Focus adjustable)	○	○	○	○	
	1X	○	○	○	○	
Mirror		○	○	○	○	
Wire winding device		○	○	○	○	

Note: "●"In Table Is Standard outfits, "○" Is Optional Accessories.

Packing Size: 420mm×275mm×450mm

Gross Weight: 7.5 kgs

Net Weight: 6.5 kgs

INTELLEKT Digital Microscope Characteristics

- Dustproof, moisture-proof, built-in chip.
- Light distribution 20:80, eyepiece observation synchronized with digital imaging without switching.
- Built-in 3MP/5MP digital camera system, 1/2" CMOS color sequential scanning.
- USB2.0 connection without external power supply.
- Available for WINDOWS system.



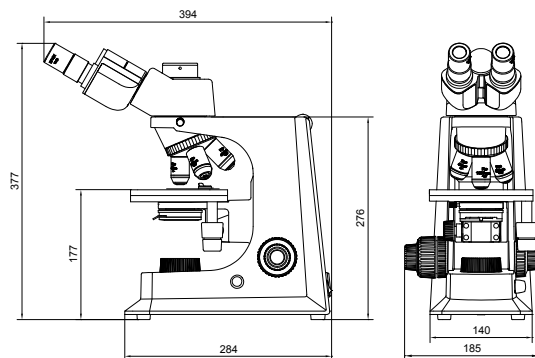
INTELLEKT-e Digital Microscope Outfits

Items	Specification	e320	e500
Eyepiece	WF 10X-20mm	●●	●●
	4X	●	●
Infinity EPlan Objective	10X	●	●
	40X/0.65 (S)	●	●
	100X/1.25 (Oil) (S)	●	●
Seidentopf Binocular Head	Inclined 30°, Rotatable 360°, Interpupillary Distance: 50-75mm	●	●
Nosepiece	Quadplex	●	●
Mechanical Stage	Stage Size: 145mm × 140mm		
	Travel: 76mm × 52mm, Scale: 0.1mm, Two Slide Holder	●	●
Condenser	Abbe N.A. 1.25 (Iris Diaphragm)	●	●
	LED Illumination Systems	●	●
Illumination	6V/20W Halogen Lamp	○	○
	6V/30W Halogen Lamp	○	○
Image Systems		3.2MP Pixel	5 MP Pixel

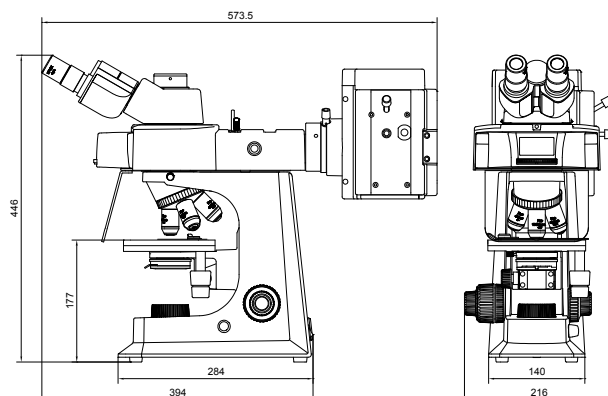
Note: "●" In Table Is Standard outfits, "○" Is Optional Accessories.

Packing Size: 570mm × 275mm × 450mm Gross Weight: 8 kgs Net Weight: 7 kgs

INTELLEKT Biological Microscope Size(mm)



INTELLEKT-FL Fluorescence Microscope Size(mm)



INTELLEKT-E320/500 Digital Microscope Size(mm)

